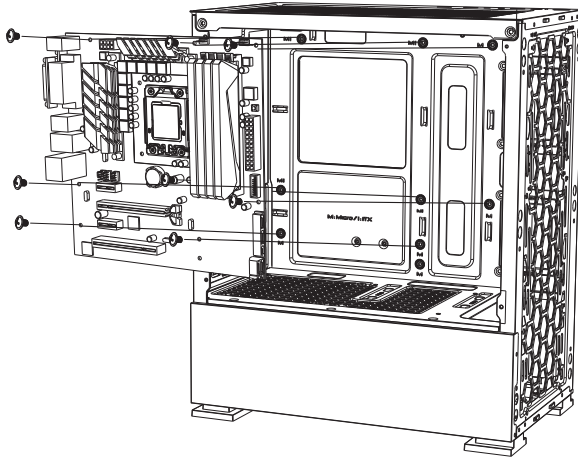
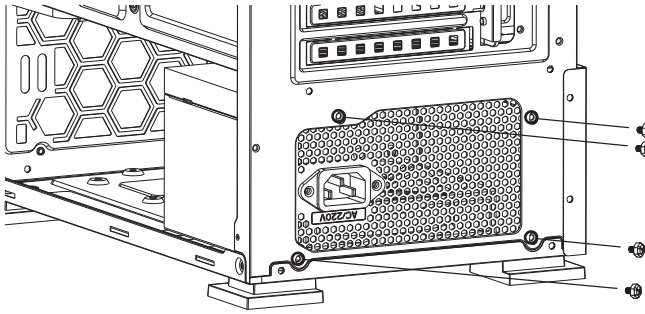


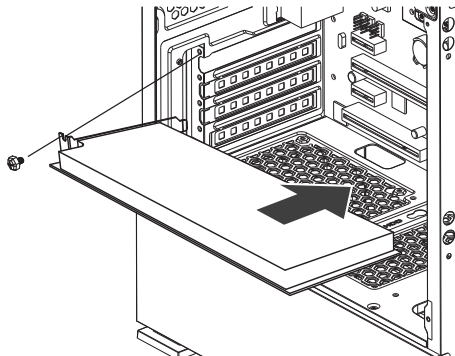
MOTHERBOARD INSTALLATION



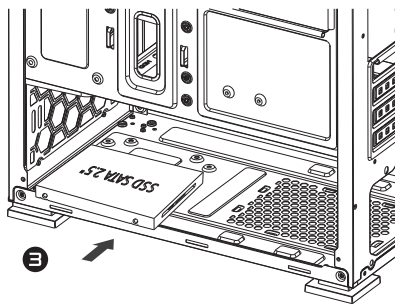
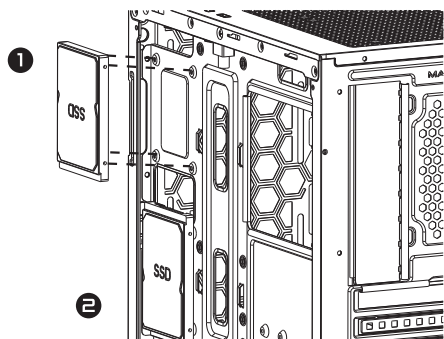
POWER SUPPLY INSTALLATION



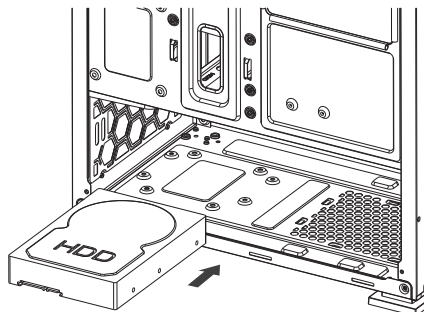
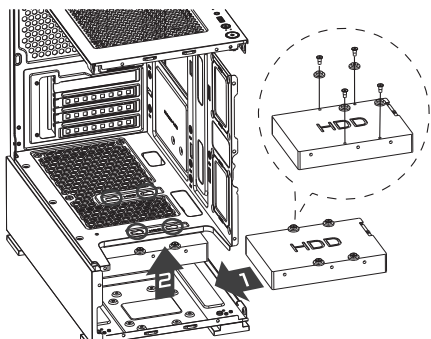
GRAPHICS CARD INSTALLATION



2.5" SSD INSTALLATION

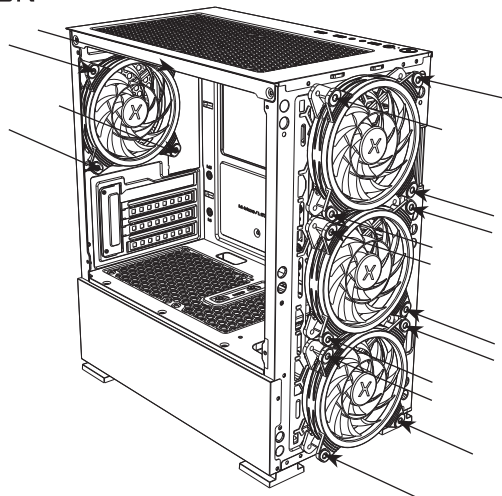


3.5" SSD INSTALLATION



FANS INSTALLATION

REAR
1x120MM FAN



FRONT
3x120MM FANS
[OPTIONAL]